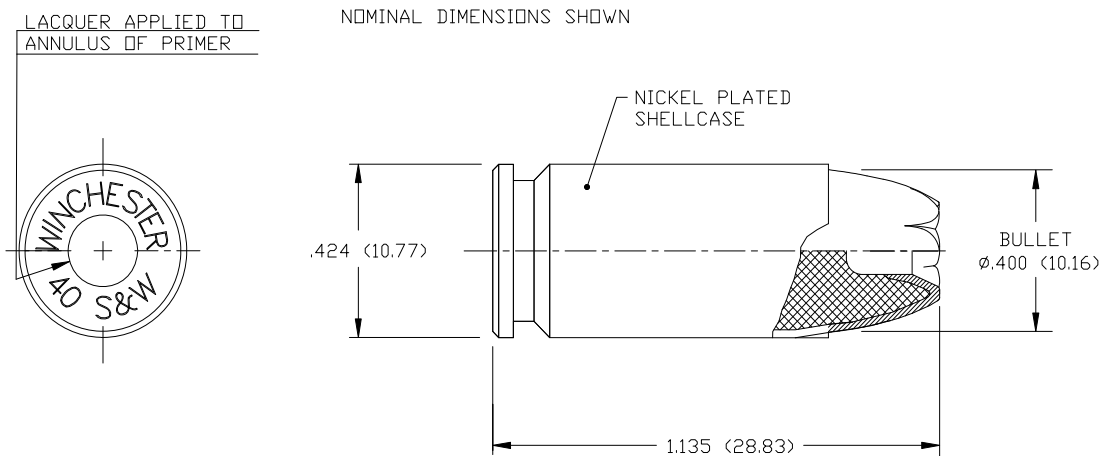




WINCHESTER
A M M U N I T I O N

Winchester 40 S&W (180) Ranger® 'T' Series

- Symbol: **RA40T** – Winchester Ranger 'T' Series
- Shellcase: 40 S&W nickel plated brass shellcase
- Bullet: 180 grain (11.7 gram) reverse tapered jacket with six "talon" design
Diameter .400 inch (10.16 mm)
- Powder: Clean burning, low flash
- Primer: Winchester non-corrosive primer, boxer type
- Accuracy: Product Mean of 2.0 inches (5.1 cm) Extreme Spread
5 shot targets at 50 yards (45.7 m) from a 4 inch (10.2 cm) SAAMI test barrel
- Velocity: 985 ft/sec (300 m/s) nominal at 15 ft (4.6 m)
Fired in a 4 inch (10.2 cm) standard SAAMI test barrel
- Energy: 387 ft-lb (525 joules) nominal at 15 ft (4.6 m)
- Pressure: 35,000 psi max. average (2413 bars)
- Waterproofing: Lacquer applied to primer annulus



RA40T

REF. W1803

INFORMATION PUBLISHED HEREIN IS SUBJECT TO CHANGE AT MANUFACTURER'S DISCRETION WITHOUT NOTICE.
REFERENCE OLIN DRAWING W1803
Revised: 6-30-2010, ECO31349

OLIN CORPORATION • WINCHESTER DIVISION • 600 POWDER MILL ROAD • EAST ALTON, IL
62024-1197
TELEPHONE: 618 258-2000 • WEB SITE: www.winchester.com